
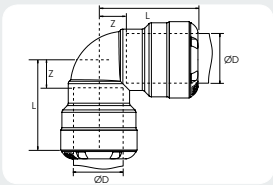

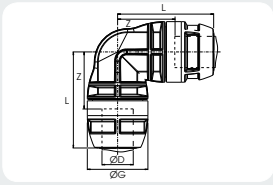

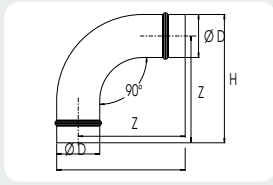
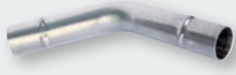
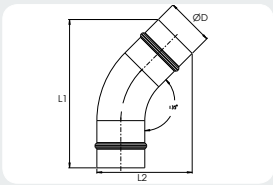

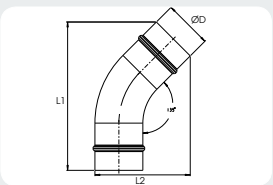

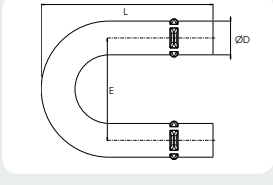


> Maximum working pressure: 145 psi

> Working temperature:

Ø 1/2", Ø 3/4": from -4°F to +185°F

Ø 1 1/2", Ø 2", Ø 3", Ø 4": from -4°F to +140°F

<p>Ø 1/2" 3/4"</p>		
<p>Ø 1 1/2" 2"</p>		
<p>Ø 3" 4"</p>		
<p>Ø 1 1/2" 2"</p>		
<p>Ø 3" 4"</p>		
<p>Ø 1 1/2" 2"</p>		

90° elbow

Transair	ØD	L	Z
RR02 H3 01	1/2	43.6	13.2
RR02 H5 01	3/4	56	14.5

Transair	ØD	ØG	L	Z
RP02 M4 01	1 1/2	82	130	55
RP02 M6 01	2	100	139	64

Transair	ØD	H	Z
RX02 L1 00	3	227	189
RX02 L3 00	4	278	221

Use two connectors RR01 to connect 90° elbow RX02 to Transair pipe.

45° elbow

Transair	ØD	L1	L2
RX12 M4 00	1 1/2	288	149
RX12 M6 00	2	300	167

Use two connectors RP06 to connect 45° elbow RX12 to Transair pipe.

Transair	ØD	L1	L2
RX12 L1 00	3	235.5	151.4
RX12 L3 00	4	271.4	184.3

Use two connectors RR01 to connect 45° elbow RX12 to Transair pipe.

180° elbow

Transair	ØD	L	E
RX32 M4 00	1 1/2	216	128
RX32 M6 00	2	271	120.4

Use two connectors RP06 to connect RX32 180° elbow to Transair pipe.